

Teflon-Probe S-22 M18

Level control for:



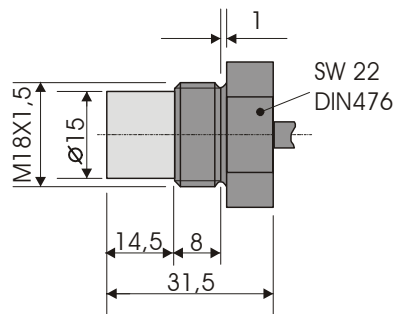
- hot-melt adhesives
- waxes
- paints
- granulates
- chemicals

Technical data:

Enclosure material	Teflon(PTFE), nickel-coated brass
Enclosure rating EN 60529	IP65
Permitted ambient temperature	0°C to +250°C
Cable length	1 m

Dimensions:

Unit: mm



Operating Instructions:

Mounting instructions

The probe is only to be used together with the type CNS-506 device. The probe cable is not to be laid parallel to the driving cables.

Operation

The scope of use comprises the liquid and solid medium with a maximum temperature of 250°C. During the functional test (setting), it is imperative that the test only be carried out using the medium which was actually called up. The optimal switching point is situated to

the center of the probe. At this point the switching point must be adjust.

Maintenance

The probes are maintenance-free. Devices are only to be repaired or overhauled by the manufacturer.

General

Our devices are of a high technical quality. We reserve the right to make technical alterations which are designed to meet technical progress.

Tippkemper Elektronik GmbH & Co KG

Zum Kreuzweg 12, D-59302 Oelde, Germany, Tel. +49 (0) 25 29 / 93 01-50 Telefax +49 (0) 25 29 / 93 01-49
E-mail: info@tippkemper-elektronik.de